

The professional solenoid valve manufactory

www.solenoidvalve.vn

Sanlixin[®]

SOLENOID VALVES



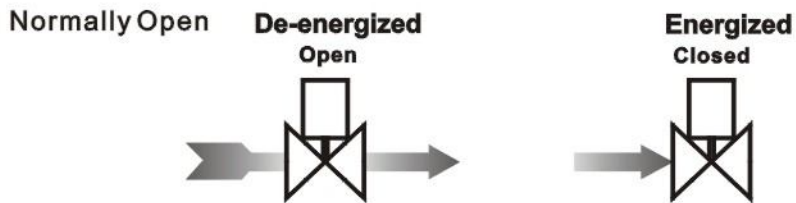
CE RoHS



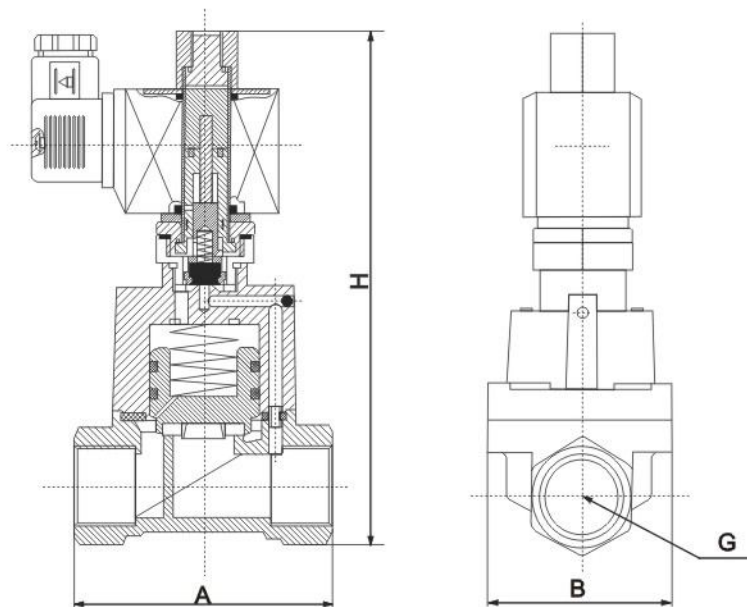
SLA 2/2-Way Pilot Operated Piston Solenoid Valve · Normally Open

● The Professional Solenoid Valves Manufactory

- 1:** 2-Way normally open solenoid valve;
Open when de-energized, closed when energized.
- 2:** Body material: forged brass
- 3:** Max. Allowable pressure 12kgf/cm²;
Ambient Temp. 0°C~65°C (F CLASS) , 0°C~80°C (H CLASS)
- 4:** Serialized products, small in size, large flow rate, widely use.
- 5:** Flow as the arrow, mounts in any position;
Best position is Solenoid vertical and upright direction.
- 6:** Voltage: 220VAC/230VAC/240VAC/110VAC/24VAC 50/60HZ 24VDC/12VDC;
Voltage Tolerance: +10% to -10% applicable voltage.
- 7:** This series valves are offered Teflon for Seals to provide on-off control of various fluids.



Construction, External Dimensions Chart



SLA 2/2-Way Pilot Operated Piston Solenoid Valve • Normally Open

● The Professional Solenoid Valves Manufactory

Valve Selection List

| Pipe Conn- ection | Orifice mm | CV Factor | Operating pressure differential (kgf/cm ²) | | | | Max. Fluids Temp. | Coil Type | Power consumption | | Coil Class | External Dimensions Length x Width x Height A x B x H | Weight KG | Model Code Follows Voltage are 220VAC 50/60HZ | |
|-------------------------|-------------------|------------------|---|------------|-------------------------------|-----------|-------------------------|--------------|----------------------|--------------------|---------------|---|------------------|---|---------------|
| | | | Min. | Max. | | | | | VA AC 220 V | W DC 24 V | | | | | |
| | | | | Air Gas | Water Hot water Liquids | Light oil | | | | | | | | | Steam |
| 3/8" | 15 | 4.5 | 0.5 | 8 | 8 | 8 | 8 | 110 | D | 33 | 32 | F | 75×52×147 | 1.45 | SLA2DF02V1C15 |
| | 15 | 4.5 | 0.5 | 8 | 8 | 8 | 8 | 185 | W | 33 | 32 | H | 75×52×147 | 1.45 | SLA2WH02T1C15 |
| 1/2" | 15 | 4.5 | 0.5 | 8 | 8 | 8 | 8 | 110 | D | 33 | 32 | F | 75×52×147 | 1.4 | SLA2DF02V1D15 |
| | 15 | 4.5 | 0.5 | 8 | 8 | 8 | 8 | 185 | W | 33 | 32 | H | 75×52×147 | 1.4 | SLA2WH02T1D15 |
| 3/4" | 20 | 9.0 | 0.5 | 8 | 8 | 8 | 8 | 110 | D | 33 | 32 | F | 85×60×159 | 1.7 | SLA2DF02V1E20 |
| | 20 | 9.0 | 0.5 | 8 | 8 | 8 | 8 | 185 | W | 33 | 32 | H | 85×60×159 | 1.7 | SLA2WH02T1E20 |
| 1" | 25 | 13 | 0.5 | 8 | 8 | 8 | 8 | 110 | D | 33 | 32 | F | 100×70×166 | 2.1 | SLA2DF02V1G25 |
| | 25 | 13 | 0.5 | 8 | 8 | 8 | 8 | 185 | W | 33 | 32 | H | 100×70×166 | 2.1 | SLA2WH02T1G25 |
| 1 1/4" | 35 | 26 | 0.5 | 6 | 6 | 6 | 6 | 110 | D | 33 | 32 | F | 120×90×186 | 3.8 | SLA2DF02V1H35 |
| | 35 | 26 | 0.5 | 6 | 6 | 6 | 6 | 170 | W | 33 | 32 | H | 120×90×186 | 3.8 | SLA2WH02T1H35 |
| 1 1/2" | 35 | 26 | 0.5 | 6 | 6 | 6 | 6 | 110 | D | 33 | 32 | F | 120×90×186 | 3.7 | SLA2DF02V1J35 |
| | 35 | 26 | 0.5 | 6 | 6 | 6 | 6 | 170 | W | 33 | 32 | H | 120×90×186 | 3.7 | SLA2WH02T1J35 |
| 2" | 50 | 48 | 0.5 | 6 | 6 | 6 | 6 | 110 | D | 33 | 32 | F | 150×110×205 | 4.7 | SLA2DF02V1K50 |
| | 50 | 48 | 0.5 | 6 | 6 | 6 | 6 | 170 | W | 33 | 32 | H | 150×110×205 | 4.7 | SLA2WH02T1K50 |