

Design

- ⇒ Annular Rubber Ring
- ⇒ Inner Metal Core with tapped hole to take bolt from supporting machinery
- ⇒ Outer Metal Ring with holes provided for bolt in wherever required
- ⇒ Protruding Rubber Ring acting as a non-skid pad for direct floor mounting without fastening bolts
- ⇒ Plated steel cap for oil & corrosion protection



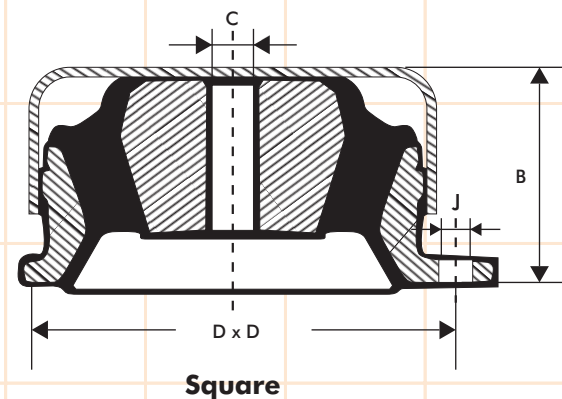
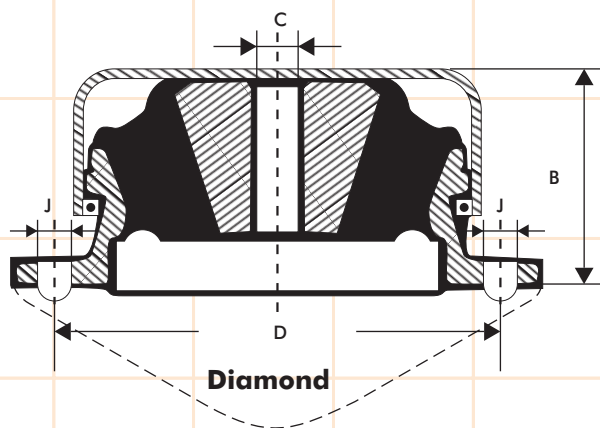
Advantages

- ⇒ Eliminates upto 98% Vibrations
- ⇒ Accepts Large Transitory Shocks
- ⇒ 2-3 Times Stiffer Radially than Axially
- ⇒ Quick and Easy Installation
- ⇒ Fixing by bolts and rebound stop facility for Mobile Application
- ⇒ Oil & Corrosion Protection



Typical Applications

- ⇒ Extensively used for supporting Engine and Operator Cabin in Hydraulic Excavators and other Earth Moving Machinery.
- ⇒ Support Large Motor Compressor Units, Naval Application, Generators, Tanks, Diesel Engines, Reducers etc. on ground and mobile equipment.
- ⇒ Used under Metal Working Machinery. Textile Machinery, Refrigeration & Air Conditioning Equipment.



Characteristics

Type	50		60		70		Physical				
Part No.	Load. Kg.	Defl. mm.	Load. Kg.	Defl. mm.	Load. Kg.	Defl. mm.	Base	Height B (mm)	Threaded C (mm)	Centres D (mm)	Hole Dia. x no. J (mm) x nos.
STB 0069	30	3	50	3	70	3	Diamond	41	M - 12	98	9 x 2
STB 0084	80	4	130	4	175	3	Diamond	51	M - 12	115	11 x 2
STB 0100	185	3	300	3	400	3	Square	52	M - 12	90 x 90	11 x 4
STB 0133	450	5	725	5	1000	4	Square	72	M - 16	114 x 114	13 x 4
COLOUR	Green		Blue		Red						