

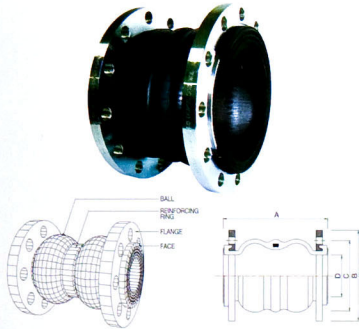
N-FLEX TYPE FLEXIBLE CONNECTOR

(Deflection:25mm,50mm)

► Features

- FLEXIBLE CONNECTORS absorb the stress generated by the expansion and contraction of pipe line and the vibration transmitted from equipments. Its role of isolating for vibration from fluid flow and gives flexibility to whole system as allowable connection error of pipe line

- (a) Operating temperature : - 20 C ~ +80 C
- (b) Operating pressure : 17.5kgf/cm², 23.6kgf/cm²
- (c) Material : NEOPRENE, EPDM



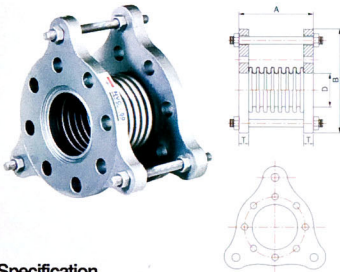
DIMENSION & SELECTION GUIDE BY LOADS

TYPE	Flange Dimension(mm)				Weight (kg)	Allowable Movement in Operation			
	A	B	C	D		Pressure	Expansion	Concentricity	Banding Angle
NFC - 32	180	135	100	32	3.4	38	13	16	30°
NFC - 40	180	140	105	40	3.8	38	13	16	30°
NFC - 50	180	155	120	50	4.0	38	13	16	30°
NFC - 65	180	175	140	65	5.2	38	13	22	30°
NFC - 80	180	185	150	80	5.4	38	19	22	30°
NFC - 100	180	210	175	100	6.5	38	19	22	29°
NFC - 125	180	250	210	125	10.8	38	19	22	24°
NFC - 150	180	280	240	150	13.8	38	19	22	20°
NFC - 200	220	330	290	200	16.0	38	19	22	15°
NFC - 250	220	400	355	250	25.4	38	22	32	13°
NFC - 300	220	445	400	300	28.3	38	22	32	11°
NFC - 350	220	490	445	375	32.6	38	22	32	11°

NV-FLEX TYPE FLEXIBLE CONNECTOR(T.P.C)

► Features

- While rubber connectors are preferable for sound attenuation, careful attention must be given to the pressure and temperature limitations. Stainless steel hoses are recommended for heating and ventilating unit connections that may be located in a ceiling away from the equipment room area and for longevity when temperatures exceed 220 C.



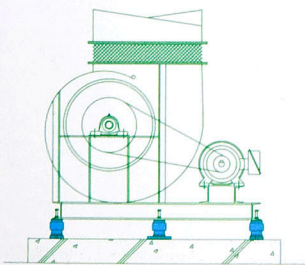
DIMENSION & SELECTION GUIDE BY LOADS

TYPE	Diameter (mm)	Dimension(mm)				Weight (kg)	Movement				
		10Kgf/cm ²		20Kgf/cm ²			Pressure	Expansion	Concentricity		
		A(mm)	B(mm)	T(mm)	A(mm)	B(mm)				T(mm)	
NVC - 32	32A	80	48	16	85	48	19	4.6	12	3	3
NVC - 40	40A	80	54	16	85	54	19	5.1	12	3	3
NVC - 50	50A	115	66	16	119	66	19	6.1	12	3	3
NVC - 65	65A	120	72	16	128	72	19	7.8	12	3	3
NVC - 80	80A	120	95	16	132	95	25	11.1	12	3	3
NVC - 100	100A	125	120	16	141	120	25	14.4	12	3	3
NVC - 125	125A	130	145	19	144	145	25	24.0	12	3	3
NVC - 150	150A	140	170	19	158	170	28	26.6	12	3	3
NVC - 200	200A	150	222	19	172	222	30	38.5	12	3	3
NVC - 250	250A	200	273	25	218	273	35	66.6	12	3	3
NVC - 300	300A	200	325	25	222	325	35	76.8	12	3	3
NVC - 350	350A	200	362	25	230	362	40	105.0	12	3	3
NVC - 400	400A	200	413	28	236	413	45	124.0	12	3	3
NVC - 450	450A	200	464	28	250	464	50	155.0	12	3	3
NVC - 500	500A	215	515	30	253	515	50	170.0	12	3	3

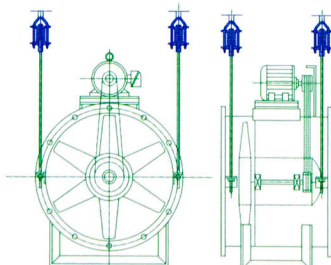
► Specification

- Applied fluid : cool & hot water, steam, liquid
- Maximum operating pressure : 10kgF/cm²
- Maximum operating temperature : 220 C
- Connecting method : KS 10K FF FLANGE
- Resisting pressure test :15kgF/cm² in water
- Material : BLOWNS : STS, FLANGE : SS

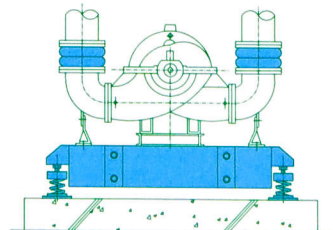
VIBRATION-PROOFING FIGURE OF VARIOUS EQUIPMENT



Sirocco Fan



Axial Fan



Double Suction Pump