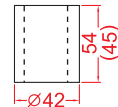
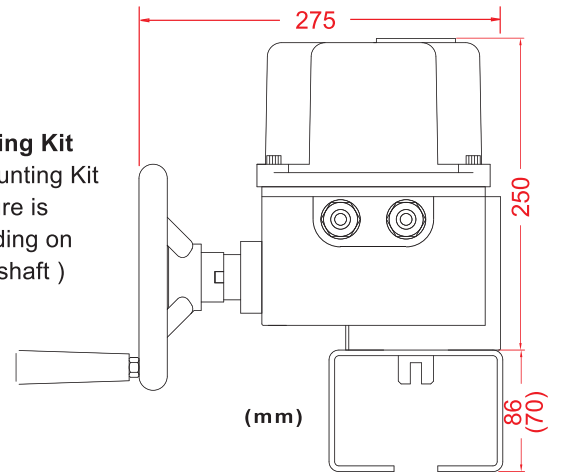


UM-6 Series

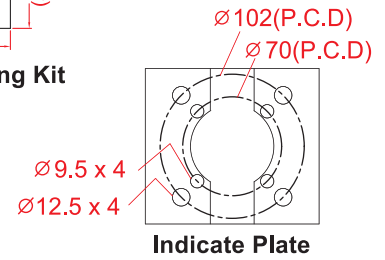


Weight : 11 kg

Mounting Kit
(The Mounting Kit stature is depending on valve shaft)



Mounting Kit



Indicate Plate

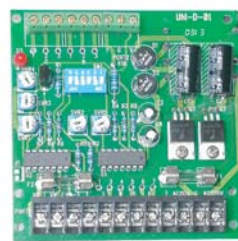
Power	Specification			Speed(sec)		Output Torque Kgf-cm		
	110VAC	220VAC	24VDC	AC	DC	110VAC	220VAC	24VDC
60W	1.2A	0.66A	N/A	30	N/A	5689	6081	N/A
65W	N/A		1.5A	N/A	30	N/A		6232

The Size Of Valve		
Flanged Ends	Butterfly Valve	3-Way Valve
4" ~ 6"	10" ~ 12"	5"

*The UM-6/24VDC is over standard height 33mm.

Position Control

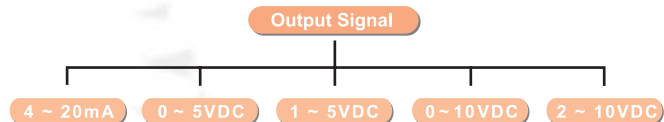
- **Position control of output signal :** five kind of output signal (can be switched).
- **100~120VAC and 200~250VAC** (can be switched).
- **It can be flow rate position indication.**



Position control panel



Controller



① Function :

The valve position transform to signal.

② Flow chart :

