

UM-4 Series



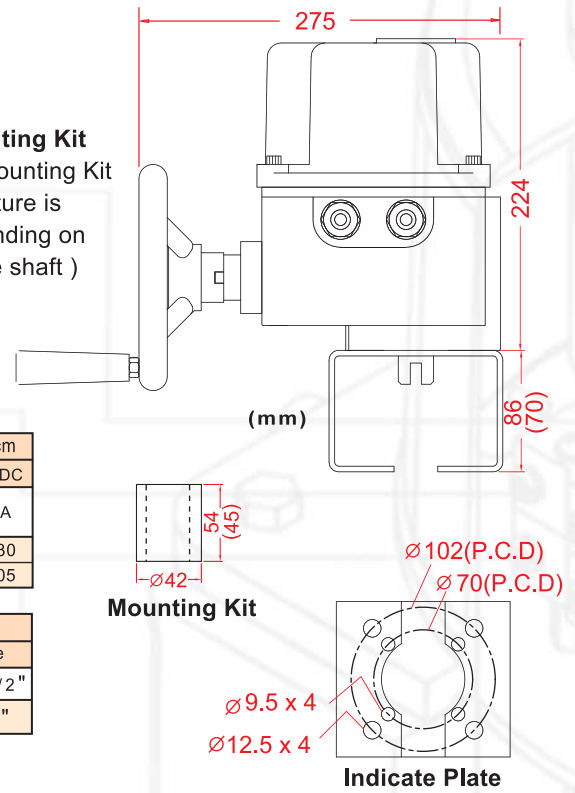
Weight : 8.3 kg

Power	Specification			Speed(sec)		Output Torque Kgf-cm		
	110VAC	220VAC	24VDC	AC	DC	110VAC	220VAC	24VDC
25W	0.76A	0.42A	N/A	20	N/A	2500	2500	N/A
				30		3118	3320	
30W	N/A		0.5A	N/A	20	N/A		2630
					30			3405

sec	The Size Of Valve				
	Screwed Ends	Flanged Ends	True Union Ball Valve	Butterfly Valve	3-Way Valve
20	1 1/4" ~ 3"	1 1/4" ~ 3"	1 1/4" ~ 3"	2" ~ 5"	1 1/4" ~ 2 1/2"
30	3" ~ 4"	3" ~ 4"	3" ~ 4"	5" ~ 8"	2 1/2" ~ 3"

*The UM-4/24VDC is over standard height 26mm.

Mounting Kit
(The Mounting Kit stature is depending on valve shaft)



UM-5 Series



Weight : 10.8 kg

Power	Specification		Speed(sec)		Output Torque Kgf-cm		
	110VAC	220VAC	AC	DC	110VAC	220VAC	24VDC
40W	0.95A	0.58A	30	N/A	4266	4873	N/A

The Size Of Valve		
Flanged Ends	Butterfly Valve	3-Way Valve
4" ~ 5"	8" ~ 10"	3" ~ 4"

Mounting Kit
(The Mounting Kit stature is depending on valve shaft)

