

UM-3 Series

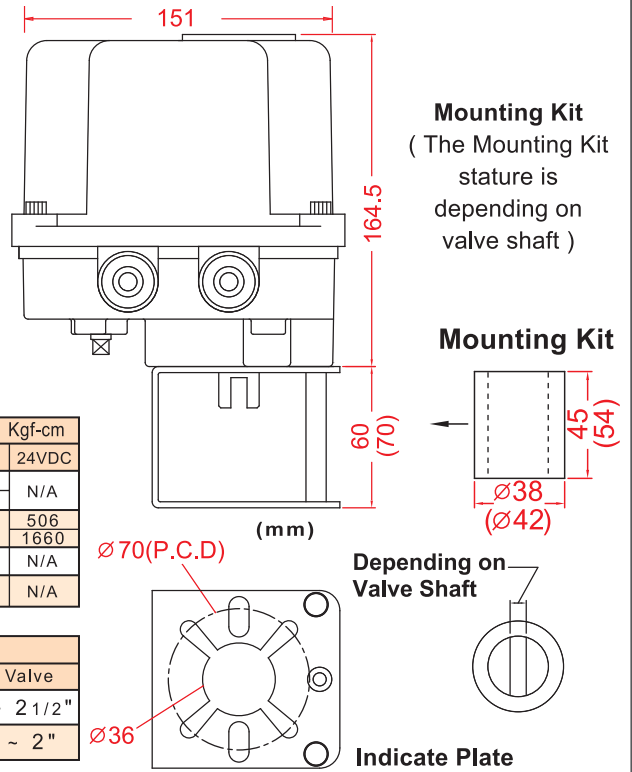


Weight : 6 kg

Specification	Speed(sec)			Output Torque Kgf-cm				
	110VAC	220VAC	24VDC	AC	DC	110VAC	220VAC	24VDC
25W	0.76A	0.42A	N/A	1 8	N/A	294 1486	350 1562	N/A
30W	N/A		0.5A	N/A	1 8	N/A		506 1660
40W	0.95A	0.58A	N/A	1	N/A	369	405	N/A
60W	1.2A	0.66A	N/A	1	N/A	445	460	N/A

sec	The Size Of Valve				
	Screwed Ends	Flanged Ends	True Union Ball Valve	Butterfly Valve	3-Way Valve
8	1 1/4" ~ 3"	1 1/4" ~ 3"	1 1/4" ~ 3"	2" ~ 4"	1 1/4" ~ 2 1/2"
1	1 1/4" ~ 2"	1 1/4" ~ 2"	1 1/4" ~ 2"	2 1/2"	1 1/4" ~ 2"

*The UM-3/24VDC is over standard height 26mm.



UM-3-1 Series



Weight : 7.5 kg

Specification	Speed(sec)			Output Torque Kgf-cm				
	110VAC	220VAC	24VDC	AC	DC	110VAC	220VAC	24VDC
25W	0.76A	0.42A	N/A	1 8	N/A	294 1486	350 1562	N/A
30W	N/A		0.5A	N/A	1 8	N/A		506 1660
40W	0.95A	0.58A	N/A	1	N/A	369	405	N/A
60W	1.2A	0.66A	N/A	1	N/A	445	460	N/A

sec	The Size Of Valve				
	Screwed Ends	Flanged Ends	True Union Ball Valve	Butterfly Valve	3-Way Valve
1 sec	1 1/4" ~ 2"	1 1/4" ~ 2"	1 1/4" ~ 2"	2" ~ 2 1/2"	1 1/4" ~ 2"
8 sec	1 1/4" ~ 3"	1 1/4" ~ 3"	1 1/4" ~ 3"	2" ~ 4"	1 1/4" ~ 2 1/2"

*The UM-3-1/24VDC is over standard height 26mm.

