

## UM-1 Series

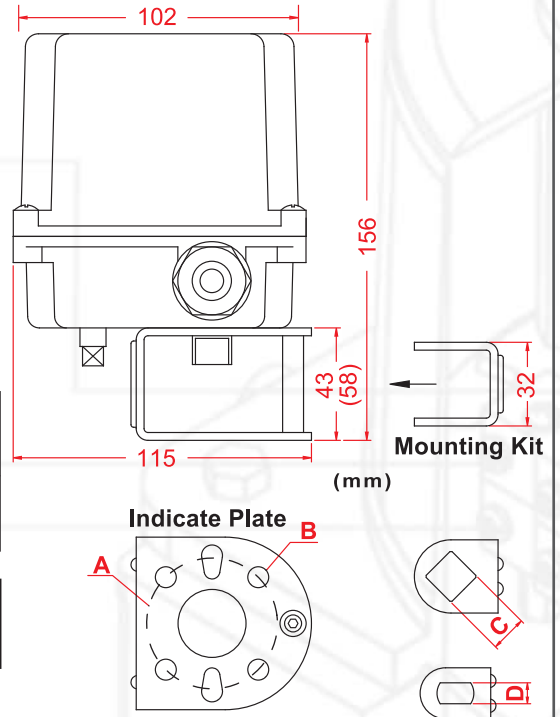


Weight : 1.5 kg

A (PCD)	∅ 36	∅ 42	∅ 50
B	∅ 7	∅ 8	∅ 8
C	9 <sup>□</sup>	11 <sup>□</sup>	14 <sup>□</sup> (H43,H58)
		10 <sup>□</sup> (H58)	12 <sup>□</sup> (H58)
D	5	6	8

Specification	Speed(sec)			Output Torque Kgf-cm				
	110VAC	220VAC	24VDC	AC	DC	110VAC	220VAC	24VDC
10W	0.4A	0.25A	0.5A	1	2	75	80	100
				5	15	350	362	438
15W	0.8A	0.5A	N/A	1	N/A	127	132	N/A
				10		410	432	

The Size Of Valve			
Screwed Ends	Flanged Ends	True Union Ball Valve	3-Way Valve
1/4" ~ 1 1/2"	1/2" ~ 1"	1/2" ~ 1 1/2"	1/2" ~ 1"



## UM-2 Series



Weight : 2.3 kg

H (mm)	60	70
Specification	Butterfly Valve 2" ~ 3"	Flange Ends 2" ~ 3"
	Screwed Ends 1" ~ 2"	

Specification	Speed(sec)			Output Torque Kgf-cm				
	110VAC	220VAC	24VDC	AC	DC	110VAC	220VAC	24VDC
10W	0.4A	0.25A	0.5A	20	30	480	502	622
				20	N/A	655	677	N/A

The Size Of Valve				
Screwed Ends	Flanged Ends	True Union Ball Valve	Butterfly Valve	3-Way Valve
1" ~ 2"	1 1/4" ~ 2"	1 1/2" ~ 2"	2" ~ 3"	1 1/4" ~ 1 1/2"

